



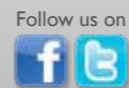
Ph: 1300 155 155  
www.stratco.com.au



« Scan this QR code with your smart phone to find a Stratco near you.

QUEENSLAND • NEW SOUTH WALES • AUST. CAPITAL TERRITORY • VICTORIA  
SOUTH AUSTRALIA • WESTERN AUSTRALIA • NORTHERN TERRITORY

All brands and logos/images accompanied by © or ™ are trade marks of Stratco (Australia) Pty Limited. © Copyright November 2012 ZY-BRO-XXX



**EDGE GUTTER™**  
MODERN | CONTEMPORARY | ARCHITECTURAL



# EDGE GUTTER

THE LATEST CUTTING EDGE STYLE IN GUTTER DESIGN

## FORM AND FUNCTION

It's versatile, attractive and easy! The smooth, straight lines and lack of external brackets give Edge gutter the striking aesthetic and modern appeal you desire.

- The new Stratco Edge Gutter is suitable for new construction and existing homes.
- Stylish and adaptable gutter profile with a smooth and neat appearance.
- Suits all modern, contemporary and architecturally designed homes.
- Ideal new look and simple design to suit both steel or tile roof applications.
- Designed with generous water carrying capacities.
- Available in all Stratco colours.
- Full range of accessories available.

## HIGH FRONTED EDGE GUTTER

High fronted gutters hide the lower edge of tiles or roof cladding which creates an aesthetically pleasing appearance. It is important that sufficient overflow measures are included in the design of the guttering system and that high fronted gutters are installed in such a way that if they overflow, it will not result in water flowing back into the roof or building.

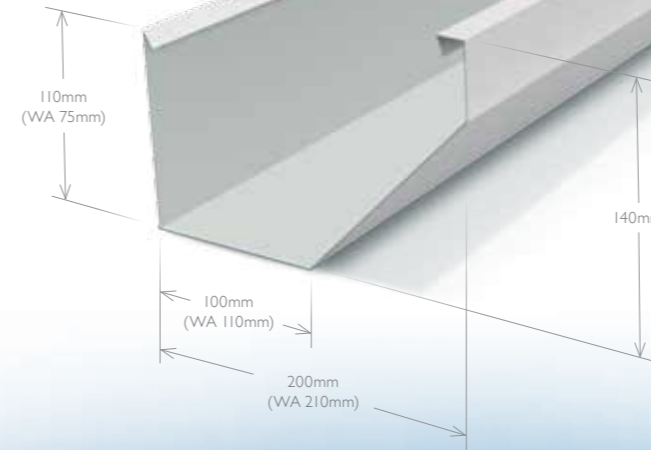
## CODES

The design and installation of guttering and downpipe systems needs to comply with the Building Code of Australia and Australian Standards AS/NZS 3500.3 Plumbing and Drainage, Stormwater Drainage and AS/NZS 3500.5 National Plumbing and Drainage, Domestic Installations. It is also important that relevant State regulations are satisfied. For example, New South Wales legislation requires all gutter and downpipe installations be undertaken by a suitably licensed installer who holds a current certificate issued by the NSW Office of Fair Trading.

## MAINTENANCE REQUIREMENTS

The performance of Edge Gutter over time depends on its correct application and maintenance. Maintenance should be performed as often as is required to remove any dirt, salt and pollutants. Where used in severely corrosive environments, cleaning should be performed more often.

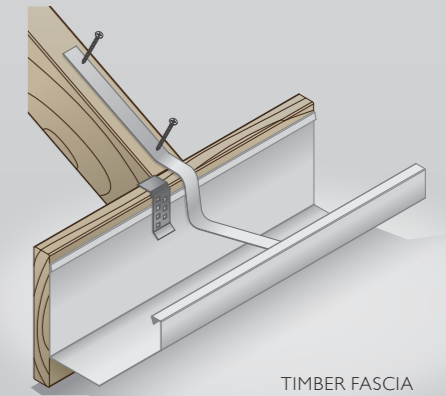
Refer to the Stratco 'Selection, Use and Maintenance' brochure, for more detailed information about the correct use and maintenance of this product.



## EDGE GUTTER BRACKET

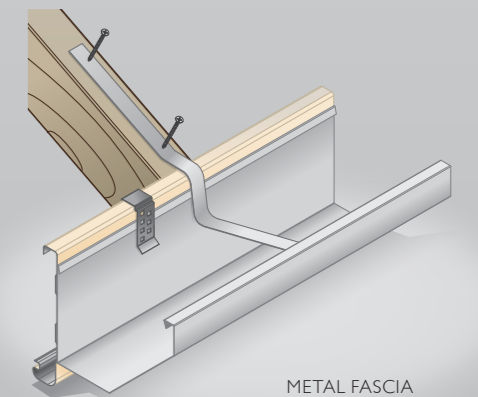
Edge gutter is available for fixing to steel or timber fascia with the use of Stratco suspension clips.

When fixing Edge Gutter to timber fascia ensure the bracket is secured using a minimum of two self drilling timber screws into the rafter. Bend bracket as required to ensure correct fit.



TIMBER FASCIA

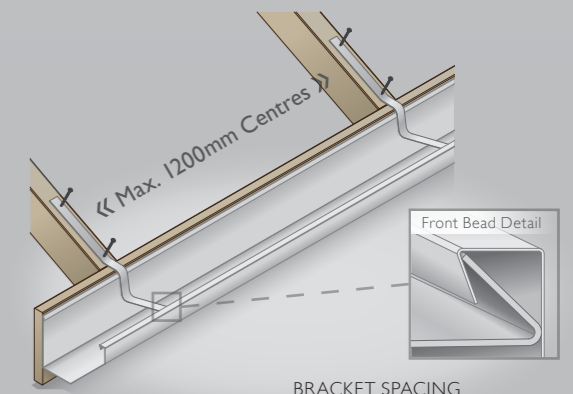
When fixing Edge Gutter to metal fascia ensure the bracket is secured using a minimum of two self drilling timber screws into the rafter. Bend bracket as required to ensure correct fit.



METAL FASCIA

Installation of multiple Edge Gutter Brackets should be spaced at maximum 1200mm centres.

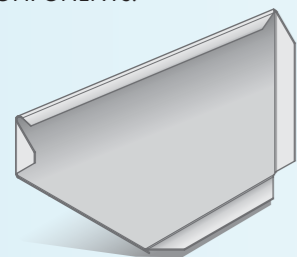
Ensure the bracket hook fold is correctly positioned.



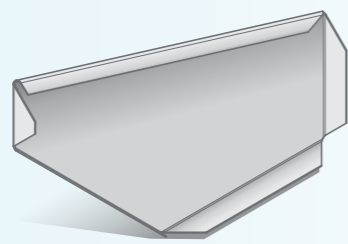
BRACKET SPACING



## COMPONENTS:



STOP END

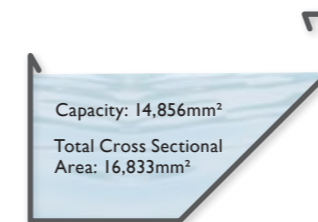


STOP END (WA EDGE GUTTER)

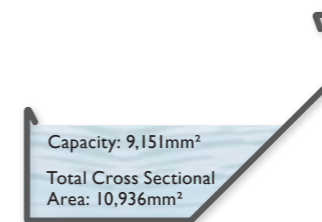


GUTTER BRACKET

## EDGE GUTTER CAPACITY:



STANDARD EDGE GUTTER



WA EDGE GUTTER (To suit Rebate Fascia)

Capacity: 14,856mm<sup>3</sup>  
Total Cross Sectional Area: 16,833mm<sup>2</sup>

Capacity: 9,151mm<sup>3</sup>  
Total Cross Sectional Area: 10,936mm<sup>2</sup>